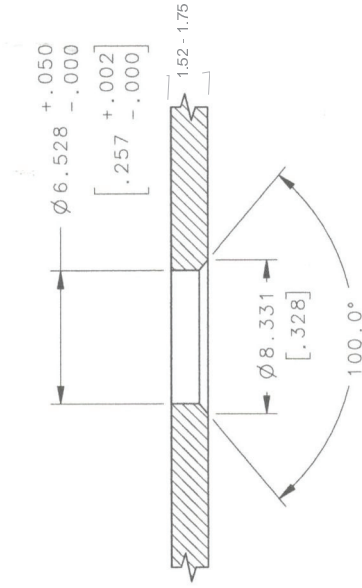


REF VIEW
SCALE 3:1



PANEL PREPARATION

INSTALLATION:

1. FLARE THE END OF THE CUP NECK INTO A COUNTERSUNK PANEL HOLE AS SHOWN
2. TURN STUD TO LOCK INTO RECEPTACLE